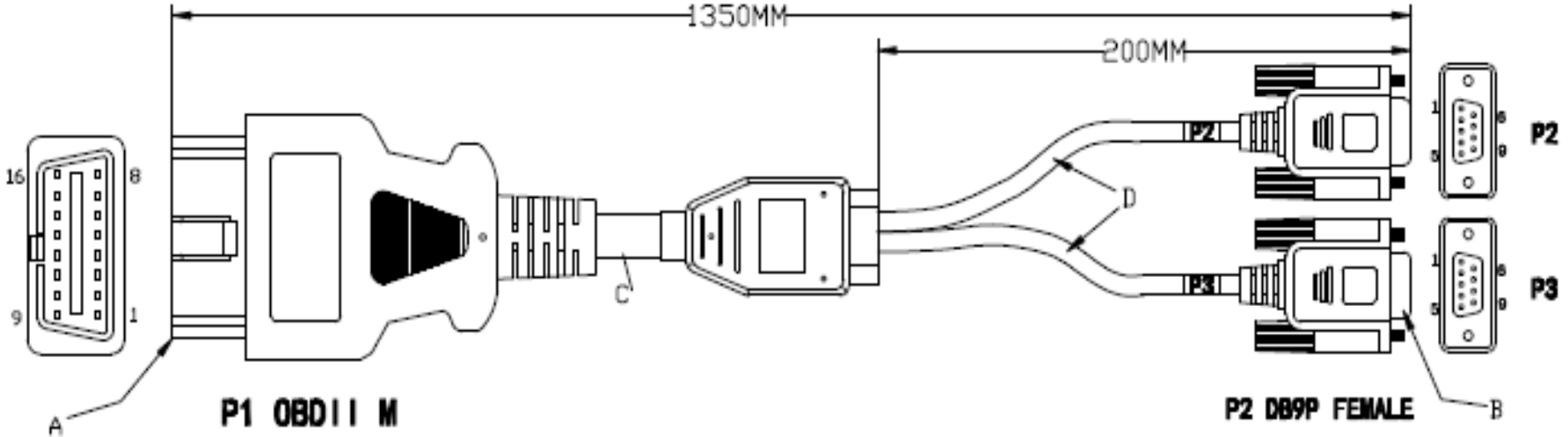


OBDii_to_2x_DB9_V1



P1 OBDII MALE	Pins	Connector
14	2	P2 DB9P F
6	7	
11	2	P3 DB9P F
3	7	

BILL OF MATERIAL/ SPECIFICATION	
E	
D	CABLE:OD 5.0MM 2C 24AWG*3PCS
C	CABLE:OD 6.0MM 4C 24AWG
B	P2/P3 DB9P FEMALE OVERMOLD:45P PVC BLACK
A	P1 OBDII (CC001) OVERMOLD: 45P PVC BLACK

